



Machine Specification and Data Sheet

## Machine Type IS 5"

	SINGLE GOB		5" DOUBLE GOB			TRIPLE GOB 85MM		
	B&B	P&B	B&B	P&B	NNPB	B&B	P&B	NNPB
Ware Range Reference	H35107		H35108			H35106		
Max Body Diameter with VertiFlow	156mm		95mm			60mm		
Stack Cooling without Vacuum	178mm		102mm			62mm		
Max Body Diameter with Vacuum	170mm		95mm			54mm		
Min. Height Under Finish	74mm	74mm	73mm	55mm		55mm	50mm	
Max. Height Under Finish with VertiFlow	341mm	265mm	325mm	290mm		245mm	213mm	
Max. Finish Diameter	48mm	120mm	48mm	90mm	38mm	30mm	55 mm	38mm

### MACHINE FEATURES

Control System FlexIS	■		■			■		
Integrated Drive System	■		■			■		
Servo Gob Distributor	■		■			■		
Delivery Suspension System DSS	■		■			■		
VertiFlow Blank Cooling	N/A		■			N/A		
InVertiFlow Blank Cooling	N/A		■			N/A		
Quick change Plunger Mechanism	■		■			■		
Plunger Process Control PPC	N/A		■			N/A		
Quick change Accessories	■		■			■		
VertiFlow Blowside Cooling	■		■			■		
Constant Cushion Invert	■		■			■		
Constant Cushion Take-out Mechanism	■		■			■		
Servo Electric Invert SEI								
Servo Electric Take-out SETO								
FlexPressure System FPS	■		■			■		
Conveyor with Silent Chain	■		■			■		
Servo Pusher Mechanism	■		■			■		
High/Low Deadplate Cooling	■		■			■		
Automatic Lubrication System	■		■			■		
Forming Process								
Blow & Blow	■		■			■		
Press & Blow	■		■			■		
Narrow Neck Press & Blow	■		■			■		
Process Change SG to DG or Vice Versa	■		■					

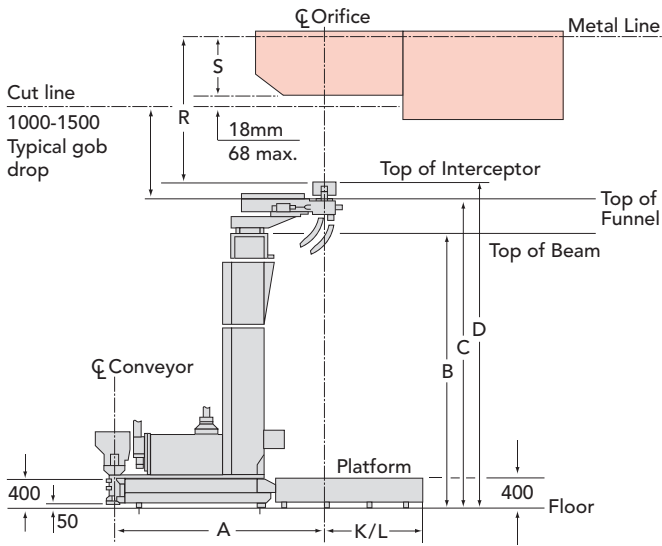
# Machine Type IS 5"

- Available in 8, 10, 12 and 20 section configurations
- Production flexibility in SG, 5" DG and TG 85mm
- Easily converted in the field (SG <=> DG <=> TG)

Dimension Specifications — IS Machine Sections

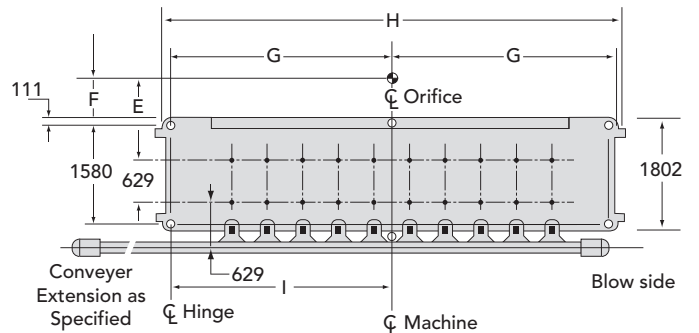
Dimension	Delivery CD	8 mm	10 mm	12 mm
A		2417	2417	2677
B		3302	3524	3910
C	SG	3652	3874	4260
C	DG 4 3/8	3731	3954	4339
C	TG 3"	3679	3877	4263
D	SG	3804	4026	4412
D	DG 4 3/8	3883	4105	4491
D	TG 3"	3840	4039	4425
E		1159	1159	1419
F		651	651	911
G		2772	3305	3839
H		5797	6864	7931
I		2779	3312	3846
K B&B Platform		815	817	555
L Platform w/NN Tanks		1264	1269	1022
Machine weight including		kg	kg	kg
Molds and Accessories		35'000	43'000	51'000
General Installation Layout Drawing		200-11208	200-11210	200-11212

# Machine Type IS 5"



Dimension Specifications for Feeder & Spout

Feeder & Spout	S (mm)		Minimum R (mm)
	Arcuate Shear	Parallel Shear	
81 Std	324	708	737
81 Deep	375	759	788
503	414	822	827
515	477	889	890
555 Std	414	N/A	827
555 Deep	477	N/A	890





## GERMANY, NEUSS

Telephone +49 (2131) 3595 0, Telefax +49 (2131) 3595 125

## ITALY, DEGO (SAVONA)

Telephone +39 (019) 51 66 1, Telefax +39 (019) 51 66 302

## JAPAN, KAWASAKI

Telephone +81 (44) 222 7371, Telefax +81 (44) 222 4868

## MALAYSIA, JOHOR BAHRU

Telephone +60 (07) 863 1122, Telefax +60 (07) 863 7717

## RUSSIA, MOSCOW

Telephone +7 (499) 746 13 40, Telefax +7 (499) 746 13 41

## SINGAPORE

Telephone +65 6778 1466, Telefax +65 6778 9433

## SPAIN, MADRID

Telephone +34 (91) 768 0094, Telefax +34 (91) 383 0235

## SWEDEN, ÖREBRO

Telephone +46 (19) 307 500, Telefax +46 (19) 307 501

## SWEDEN, SUNDSVALL

Telephone +46 (60) 199 100, Telefax +46 (60) 199 261

## UK, MANCHESTER

Telephone +44 (161) 8761 700, Telefax +44 (161) 8761 701

## USA, ELMIRA, NY

Telephone +1 (607) 734 3671, Telefax +1 (607) 734 1245

## USA, CLEARWATER , FL

Telephone +1 (727) 535 5502, Telefax +1 (727) 532 8513

## USA, OWENSVILLE, MO

Telephone +1 (573) 437 2132, Telefax +1 (573) 437 3146

## USA, WINDSOR, CT

Telephone +1 (860) 298 7340, Telefax +1 (860) 298 7395

## Emhart Glass Worldwide Presence

Principal

Emhart Glass SA

Hinterbergstrasse 22

CH-6330 Cham, Switzerland

Telephone +41 (41) 749 42 00, Telefax +41 (41) 749 42 71

www.emhartglass.com

info@emhartglass.com

## Specification

Media	Pressure Bar	Consumption per Section SG/DG Nm3/min	Consumption per Section TG Nm3/min
Low Pressure Operating Air	2.1	1.0	1.0
High Pressure Operating Air	3.1	1.0	1.0
Forming Air (B&B)	3.1	2.0	2.0
Forming Air (P&B)	3.1	2.8	2.8
Vacuum	150 mbar	0.2-0.3	0.2-0.3
Cooling Air Stack only	1200 mm H <sub>2</sub> O	75	65
VertiFlow Blowside and Blank Stack	1200 mm H <sub>2</sub> O	55	45
VertiFlow Blank and Blow Side	1200 mm H <sub>2</sub> O	40	30
VertiFlow Blow Side	1200 mm H <sub>2</sub> O	23	9
Conveyor	600mm H <sub>2</sub> O	10	10
Lubrication Oil	80	1.3 liter/day	1.3 liter/day
Cooling Water	2.1	15 liter/min	15 liter/min

## Emhart Glass Worldwide Presence

Emhart Glass SA, Hinterbergstrasse 22, CH-6330 Cham, Switzerland

Telephone +41 (41) 749 42 00, Telefax +41 (41) 749 42 71

www.emhartglass.com, info@emhartglass.com

Emhart Glass is a member of the Schott Group of companies

© 2011 Emhart Glass SA. All rights reserved. Emhart Glass is a registered trademark

of Emhart Glass SA. Emhart Glass is a registered trademark of Emhart Glass SA.

Emhart Glass makes every effort to provide valid, helpful information to its customers so that our equipment will be best utilized. If you encounter information that is not correct or information which can be misunderstood or not understood, please advise Emhart Glass so that we improve this information.

All the above figures are typical values. For project requirements contact Emhart Glass Technical Service.