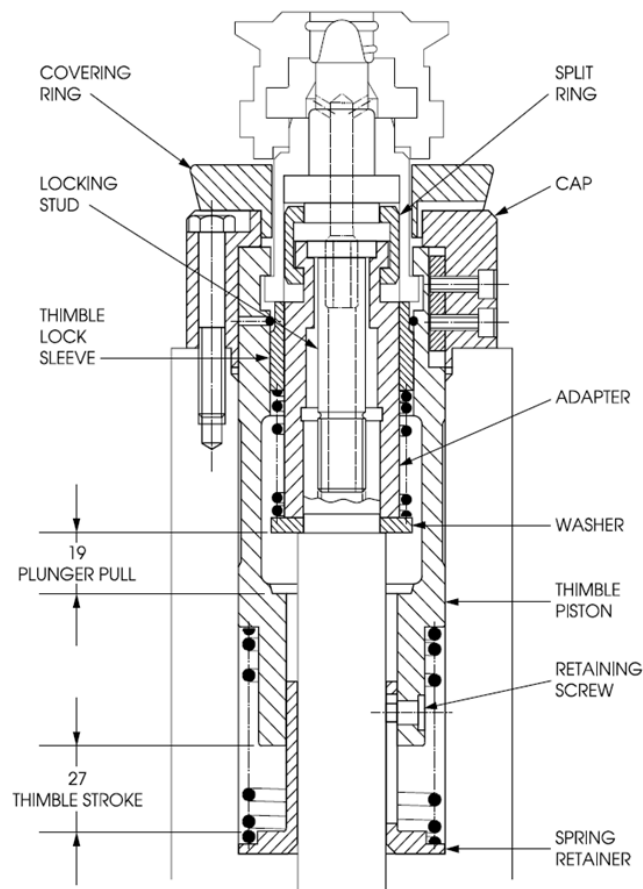


# Technical News Bulletin

Steinhausen, May 1994

---



## TG 3" Quick-Change Plunger Mechanism and Cartridge

- New cartridge permits the use of plungers and thimbles provided with a heavy-duty flange.
- It improves thimble and plunger service life and reduces the risk of parts failure.
- Existing thimbles and plungers cannot be used with or modified for the new QCC 62-3025-1.

## Introduction

A new Quick-Change Cartridge has been designed as a replacement for Cartridge 62-3015 used in conjunction with the TG 3" Quick-Change Plunger Mechanism. This new cartridge permits the use of plungers and thimbles provided with a heavy-duty flange. It improves thimble and plunger service life and reduces the risk of parts failure. In addition to the new cartridge design, the plunger mechanism was subject to design changes.

## Quick-Change Cartridge 62-3025-1

The new cartridge (**Fig. 1**) includes several design features such as:

- Cap with centering collar to locate in a matching recess in the upper plunger mechanism cylinder. This ensures proper alignment of the cap and covering ring relative to the thimble piston and provides uniform, 0.75 mm circumferential play between the thimble and covering ring.
- Solid, single piece thimble piston/extension design to prevent the extension from separating from the piston.
- Single piece spring retainer which is attached to the piston by three retaining screws. This prevents the spring retainer from becoming loose and the possibility of becoming damaged.
- New plunger adapter and split ring provided for larger and more rugged plunger flange.
- Redesigned thimble interlock for increased thimble diameter and more rugged flange.

## Mold Design

Slight mold design modifications of the thimble and plunger attachment result due to the above mentioned improvements and the requirement for more durable thimbles and plungers as well as greater thimble float.

*Refer to the attached Data Sheets 62-C-6568 — 62-C-6572 (Data Sheets are provided for reference. If required, please request original drawing copies from your EMHART Representative.*

Existing thimbles and plungers cannot be used with or modified for the new QCC 62-3025-1. The application range of the Quick-Change Cartridge remains the same.

## Quick-Change Plunger Mechanism 62-3012-9

The newly designed Quick-Change Cartridge 62-3025 required modification of the Plunger Mechanism. This opportunity was taken for additional improvements.

- The tops of the upper cylinder bores have been recessed to accommodate the centering collar of the cap of cartridge 62-3025.
- An additional piston lock pin has been added to the bearing retaining disks which are located between the upper and the lower cylinders. These two spring-loaded lock pins effectively block piston turning when tightening or loosening the adapter. Mounting screws 5/16 – 18 NC are now used for the bearing retaining disks instead of 1/4 - 20 NC.
- Passages for the separate vacuum supply and the thimble-UP operating air have been eliminated from both the upper and the lower cylinders.

Existing plunger mechanisms can be modified to accept the new Quick-Change Cartridge 62-3025 according to the *attached drawing 62-C-6556, Alteration of Upper Cylinder TG 3"*.

Quick-Change Cartridges 62-3015 can be used on the new or modified plunger mechanism without any alterations.

## Plunger Positioner 62-3014

Use of the Plunger Positioner 62-3014 on the new Plunger Mechanism 62-3012 Gr. 9, or on Plunger Mechanisms altered according to drawing 62-C-6556, requires modification of the positioner cap. The locating collar of the cap must be provided with an adapter ring, Emhart Part no. 62-6589, to coincide with the recess diameter in the upper cylinder bore of the Plunger Mechanism.

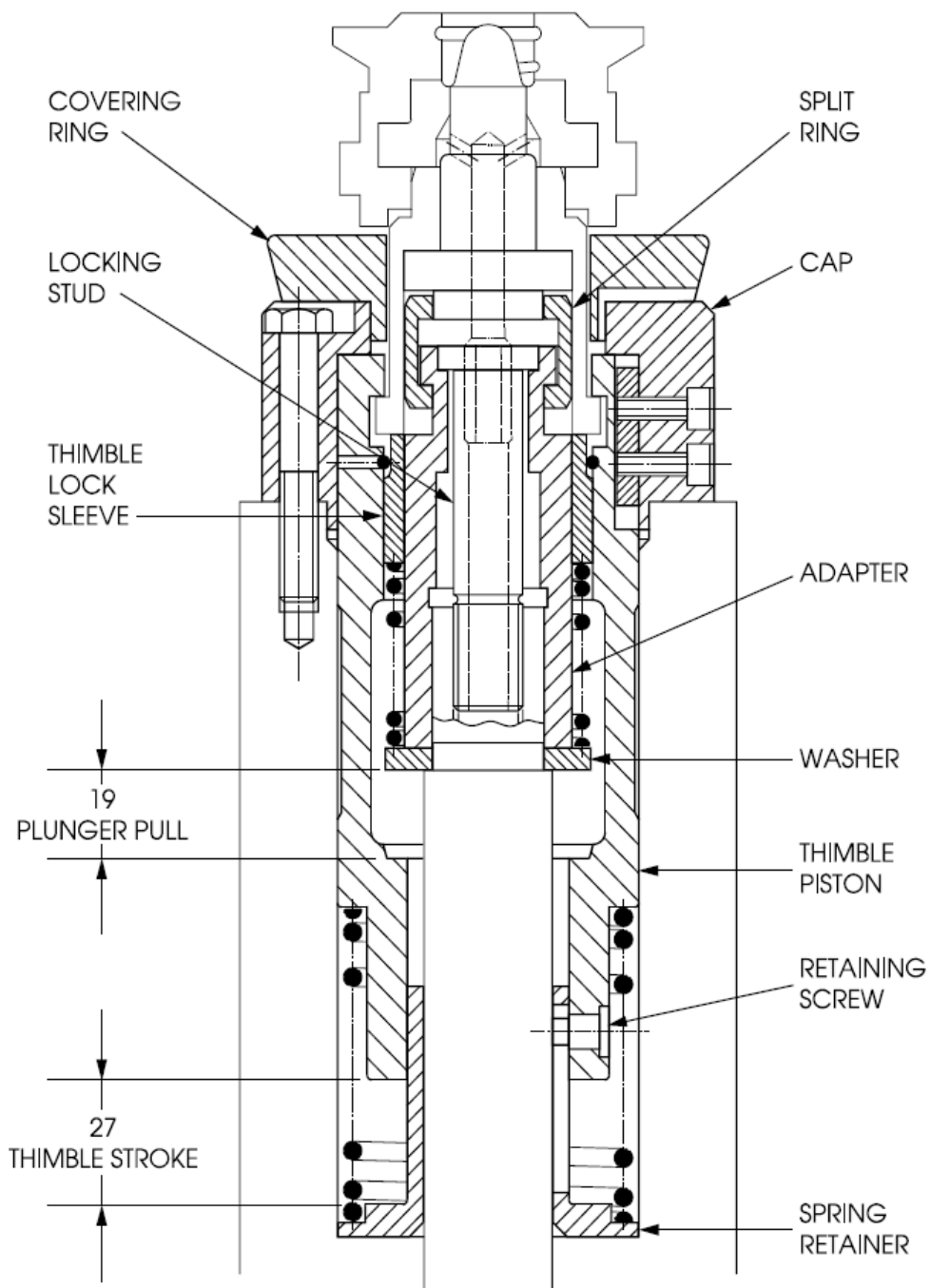
## Availability

The new Quick-Change Cartridge 62-3025-1 is now available and replaces the Quick-Change Cartridge 62-3015 which is no longer included in our manufacturing program. Spare parts for the Quick-Change Cartridge 62-3015 Gr. 10 will be supplied until the end of 1998. To permit the use of existing mold equipment, complete assemblies of the Quick-Change Cartridge 62-3015 Gr. 10 can be supplied on special request, but not after the end of 1995.

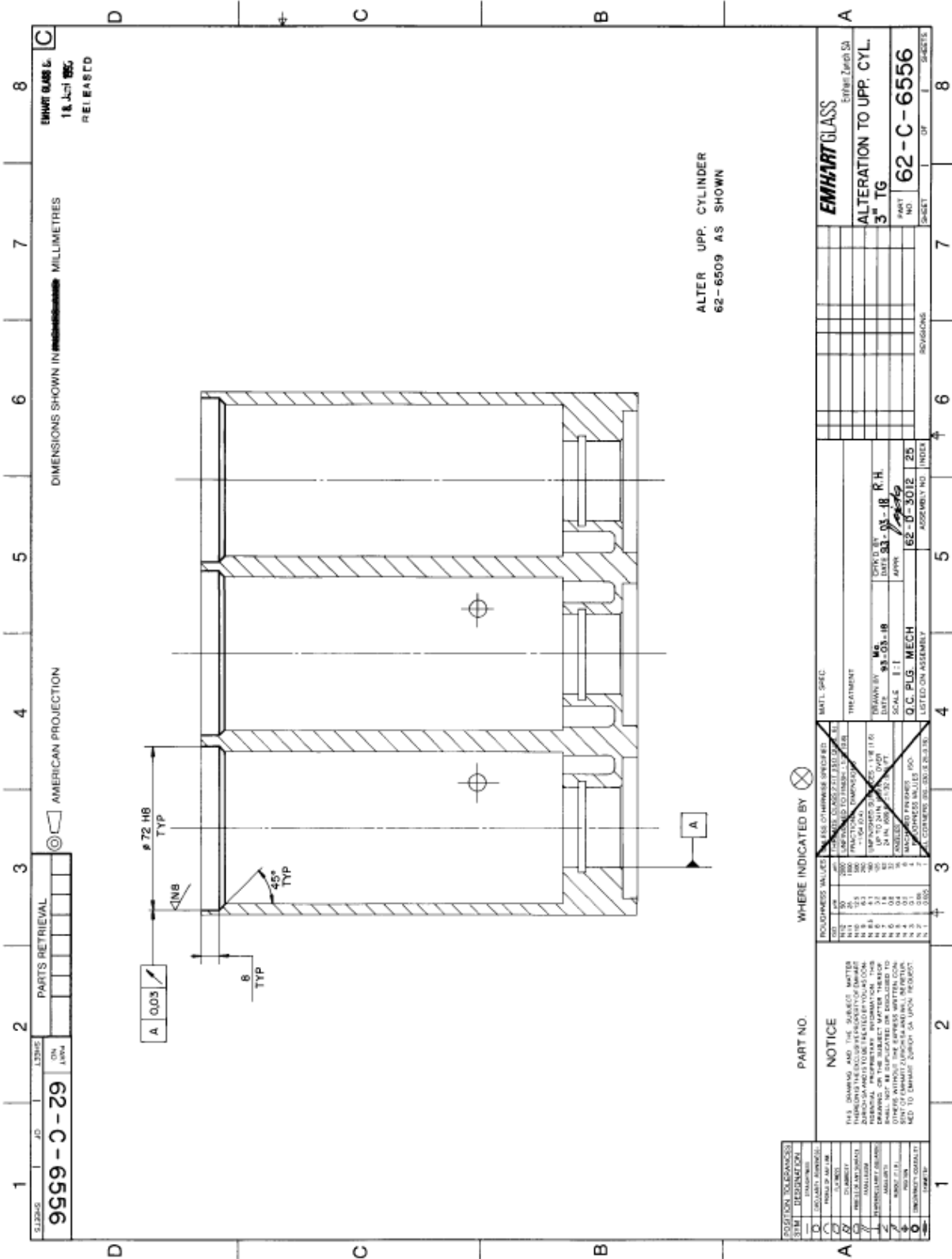
Plunger Mechanism 62-3012 Gr. 9 replaces model 62-3012 Gr. 7 which has been discontinued. This applies also to the individual parts used solely for Gr. 7 which are for spare parts orders, substituted by the equivalent parts of Gr. 9. These parts, which are listed in the table below, require no or only limited modification for installation in the Gr. 7 mechanism.

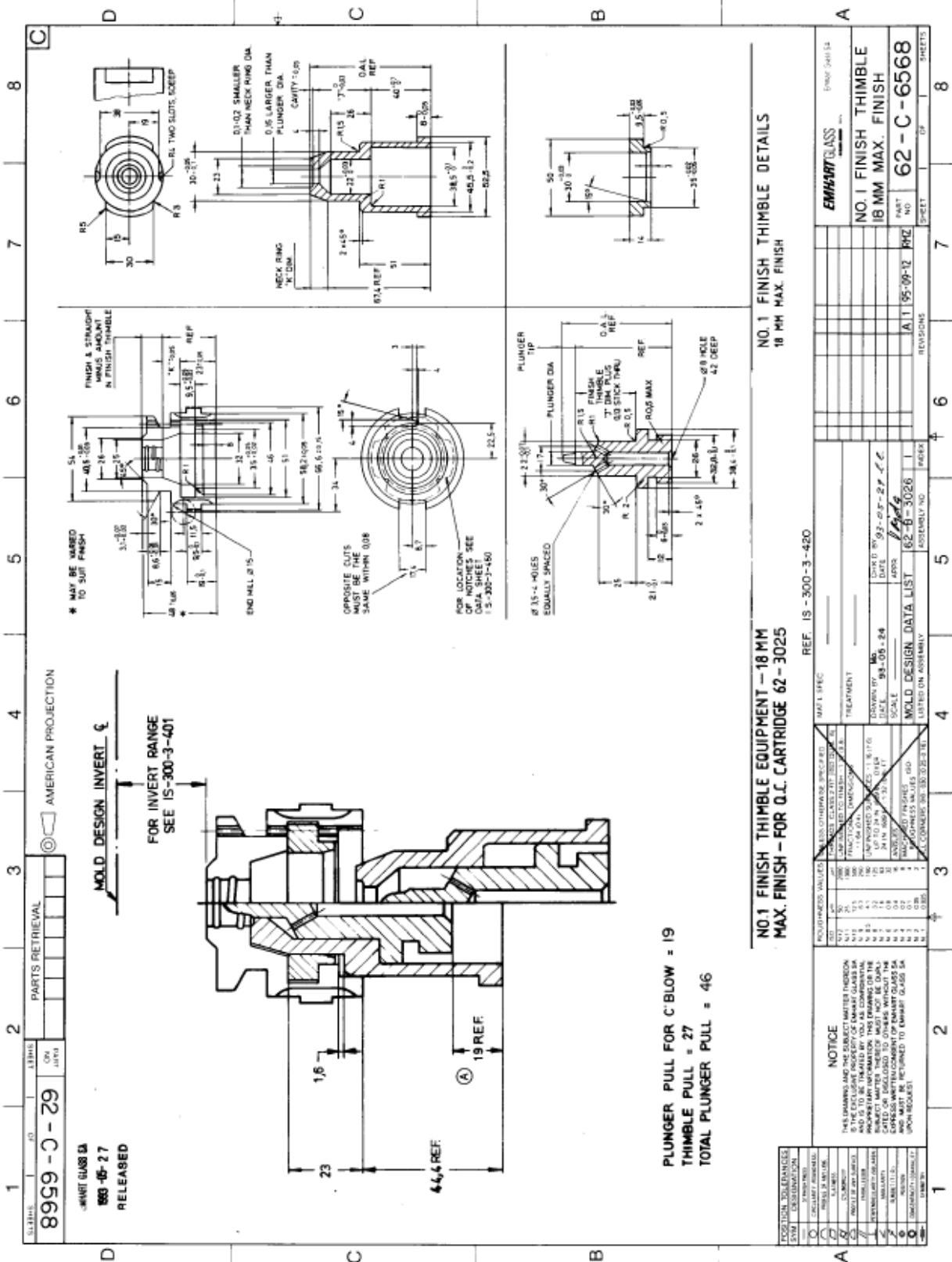
<b>New Part 62-3012 Gr.9</b>	<b>Discont.'d Part 62-3012 Gr.7</b>	<b>Description</b>
62-6573	62-6509*	Cylinder, upper
62-6574	62-6119	Cylinder, lower
62-6575	62-2875	Piston & Rod
62-6576*	62-2906	Disk, Bearing Retaining
62-6577	62-6233	Bearing, Piston & Rod
1700-361	1700-366	O-Ring for Part no. 62-6577, Bearing
2640-350	2640-190	Screw for Part no. 62-6576, Disk

**Note:\*** If Bearing Retaining Disk, Part no. 62-6576, is used together with Upper Cylinder, Part no. 62-6509, the tapped holes in cylinder must be enlarged to accept the 5/16 - 18 NC x 1" Hex. Soc. Head Cap Screws, Part no. 2640-350.



**Fig.1:** TG 3" Quick-Change Cartridge 62-3025





8959-C-29  
EMHART GLASS SA  
893-05-27  
RELEASED

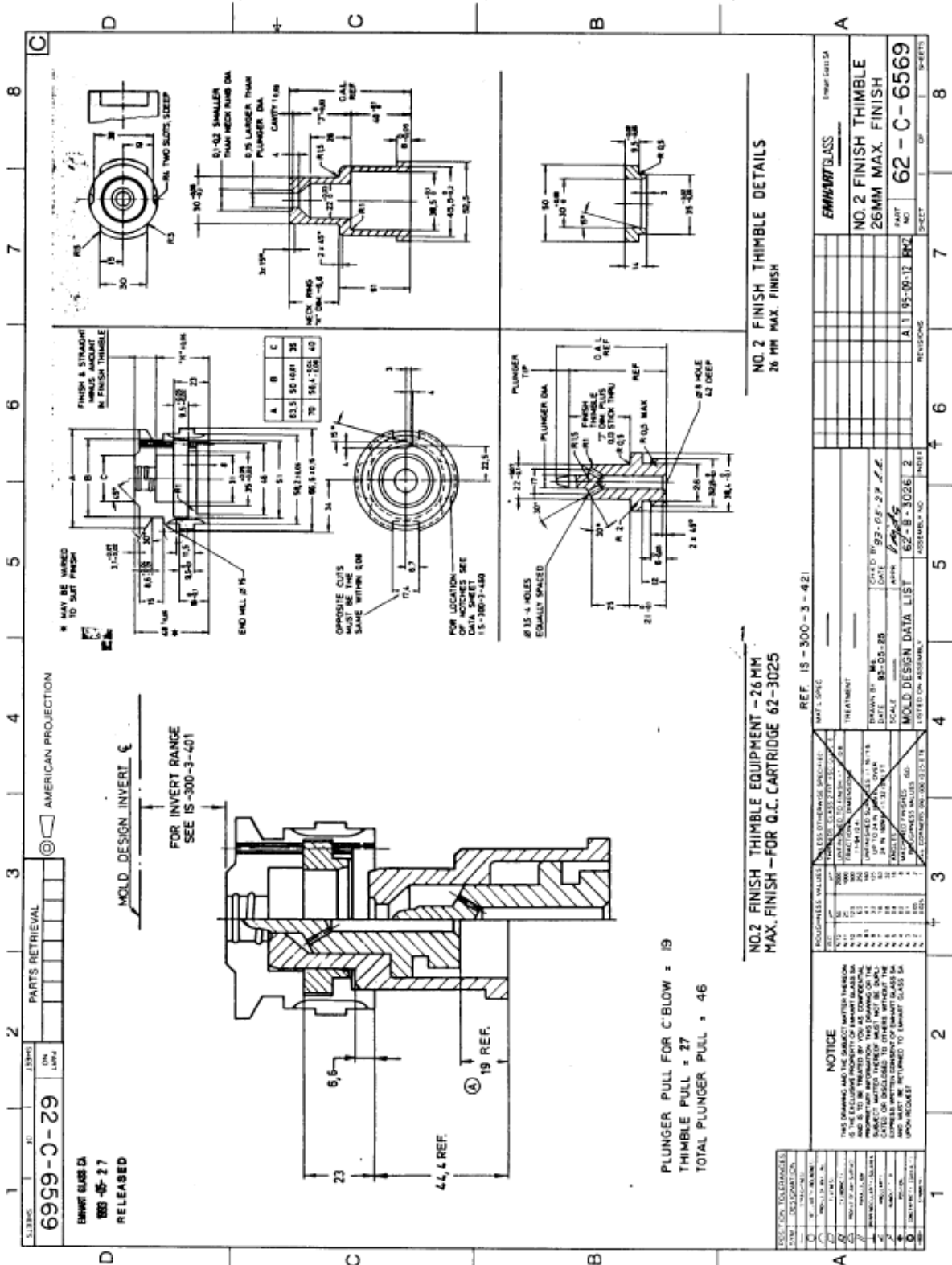
MOLD DESIGN INVERT  $\phi$   
FOR INVERT RANGE  
SEE IS-300-3-401

PLUNGER PULL FOR C-BLOW = 19  
THIMBLE PULL = 27  
TOTAL PLUNGER PULL = 46

NO. 1 FINISH THIMBLE EQUIPMENT - 18 MM  
MAX. FINISH - FOR O.C. CARTRIDGE 62-3025

REF. IS-300-3-420

EXCEPTIONS/REVISIONS	NO. 1 FINISH THIMBLE 18 MM MAX. FINISH
DATE	BY
1	
2	
3	
4	
5	
6	
7	
8	

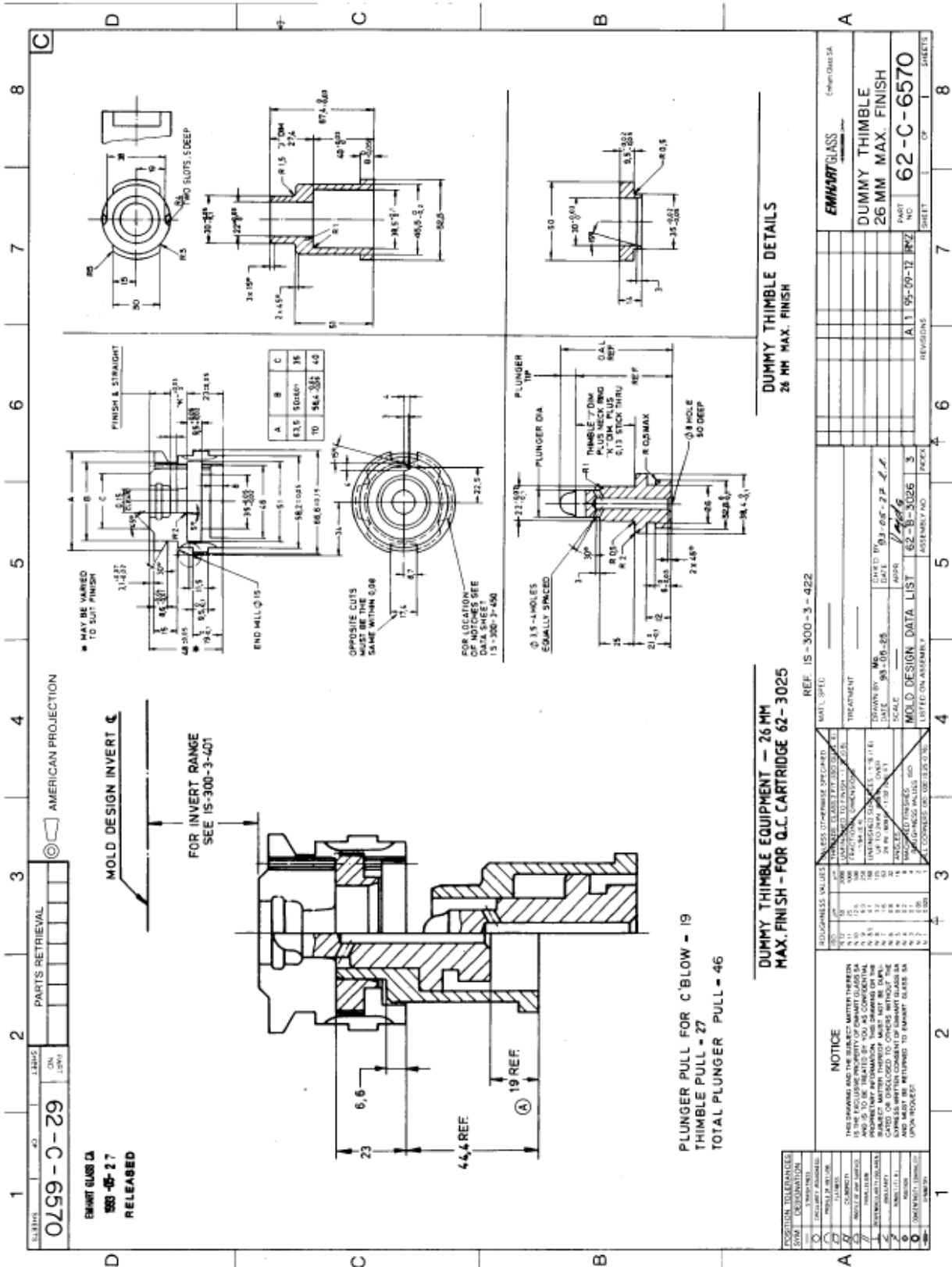


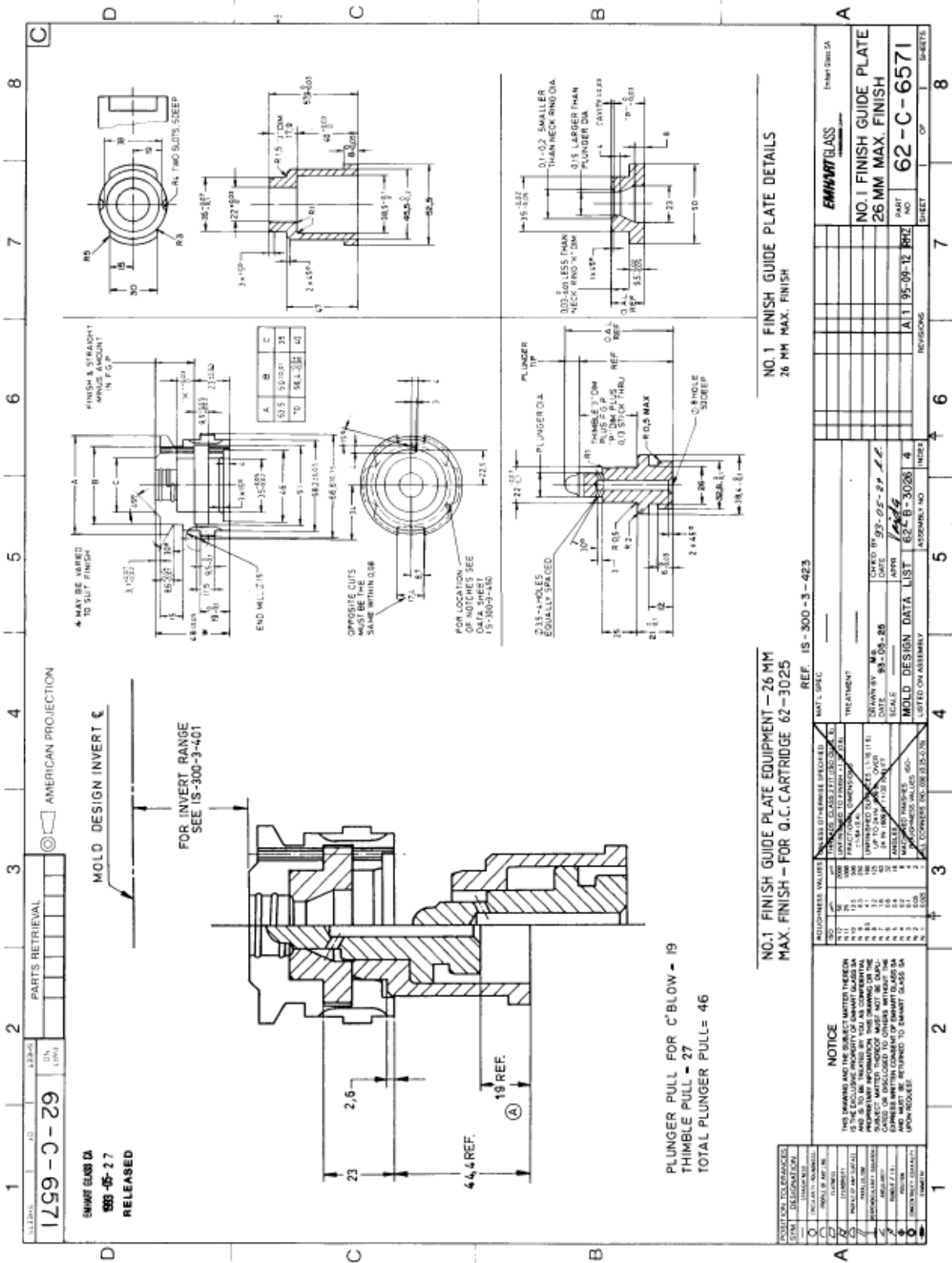
PLUNGER PULL FOR C BLOW = 19  
THIMBLE PULL = 27  
TOTAL PLUNGER PULL = 46

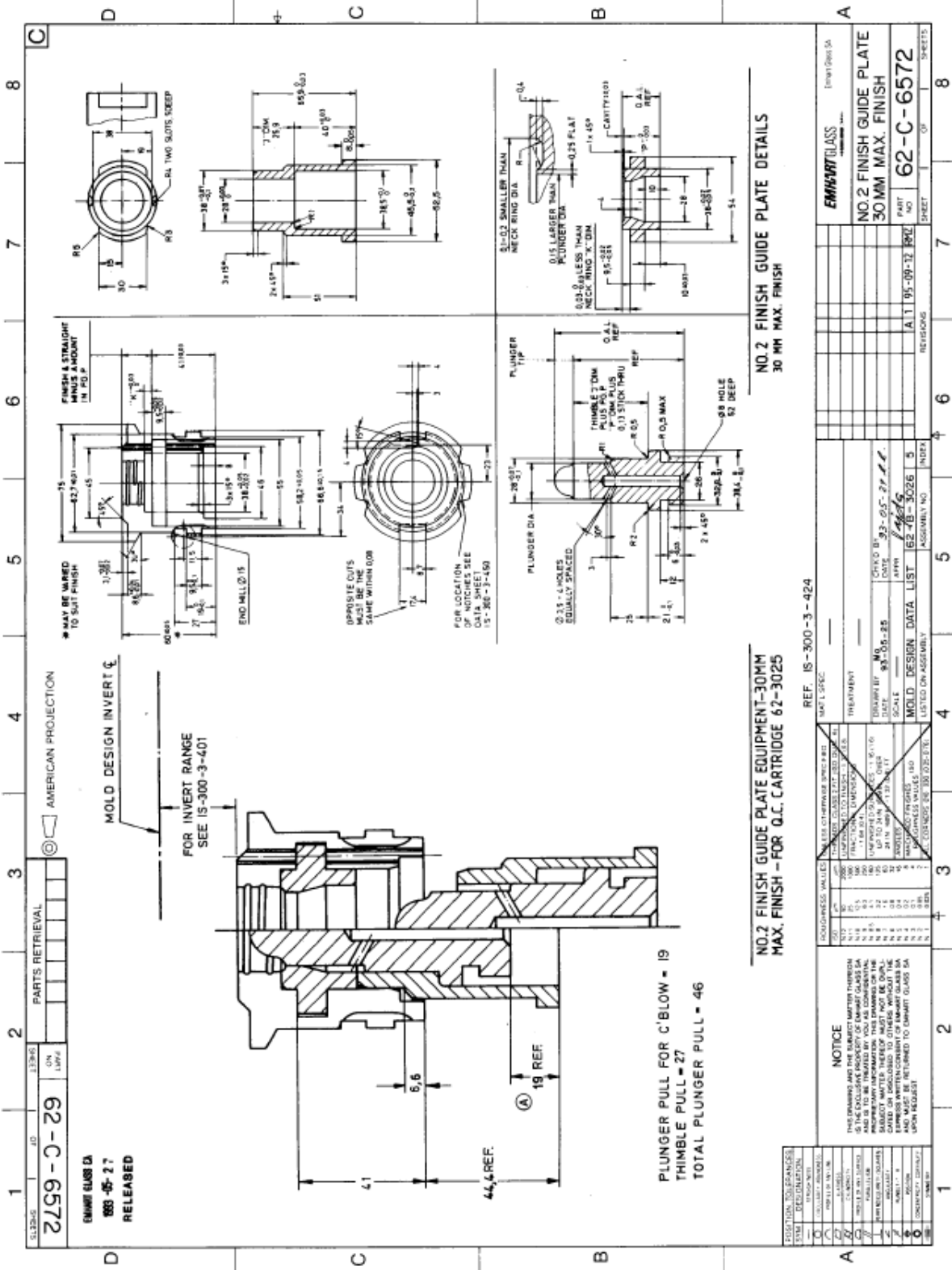
NOTICE  
THIS DRAWING AND THE SUBJECT MATTER THEREON  
IS THE EXCLUSIVE PROPERTY OF EMHART GLASS CO.  
NO PART OF THIS DRAWING OR THE SUBJECT MATTER  
HEREON SHOULD BE REPRODUCED, COPIED, OR  
TRANSMITTED IN ANY FORM OR BY ANY MEANS,  
ELECTRONIC OR MECHANICAL, INCLUDING PHOTOCOPYING,  
RECORDING, OR BY ANY INFORMATION STORAGE AND  
RETRIEVAL SYSTEM, WITHOUT THE WRITTEN CONSENT  
OF EMHART GLASS CO.











**NO. 2 FINISH GUIDE PLATE DETAILS**  
30 MM MAX. FINISH

**NO. 2 FINISH GUIDE PLATE EQUIPMENT-30MM**  
MAX. FINISH - FOR Q.C. CARTRIDGE 62-3025

REGISTRATION TOLERANCES		REF. IS-300-3-424	
SYSTEM	DESCRIPTION	DATE	BY
1	DESIGN	11/23/83	W. J. ...
2	REVISION		
3			
4			
5			
6			
7			
8			

1	2	3	4	5	6	7	8
1	2	3	4	5	6	7	8

1	2	3	4	5	6	7	8
1	2	3	4	5	6	7	8

1	2	3	4	5	6	7	8
1	2	3	4	5	6	7	8

1	2	3	4	5	6	7	8
1	2	3	4	5	6	7	8

1	2	3	4	5	6	7	8
1	2	3	4	5	6	7	8