



A uniquely configurable platform for unmatched modular versatility and flexibility

**FleXinspect BC**



## The inspection system for today and the future

The FleXinspect BC delivers 360-degree wraparound lighting and patterned lighting for 100% sidewall inspection to precisely pinpoint both opaque and transparent defects. Polarized lighting is utilized for stress inspection to ensure detection of defects that may be missed by conventional methods. When equipped with a mold reading option, the FleXinspect BC mold-correlates results from all installed inspections.

### Unmatched inspection accuracy

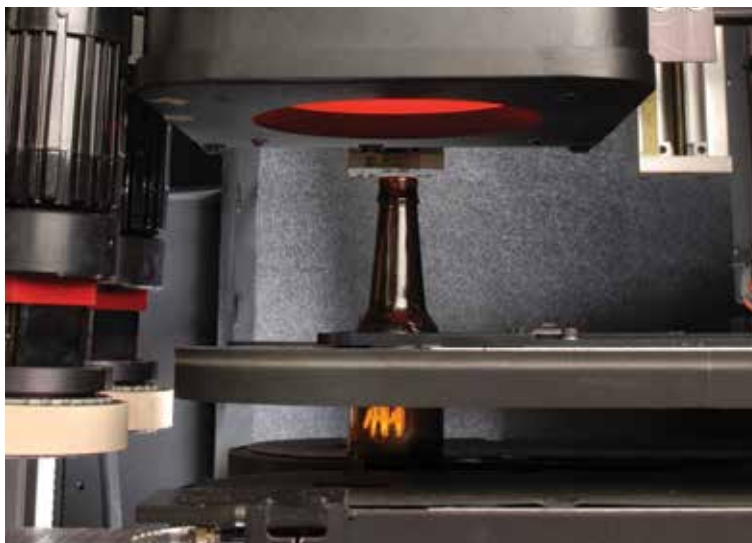
- High resolution camera technology for maximum defect detection
- Programmable long life LED illumination providing repeated, accurate results
- Stable, precise and efficient ware handling

### Optimized container stability at high speed

- Improved container stability for round, non-round and tapered ware
- Integrated container separator releases container at conveyor speed
- Precision conveyors for smooth transfer

### Maximum throughput at minimum linear speed

- Integrated container spacing device ensures optimal bottle positioning
- Minimum spacing allows for reduced linear conveying speeds
- Automatic speed control for optimized line flow



## FleXinspect BC

- Unmatched inspection accuracy
- Maximum throughput at minimum speed
- Reduced job change downtime
- Optimized container stability at high speed

The FleXinspect BC is a reliable and uniquely configurable platform that easily allows inspection functionality and redundancy as required, providing unmatched modular versatility, value, and flexibility for glassmakers' current and future requirements.



FleXinspect is powered by SCOUT technology that enables new levels of automation, performance and simplicity. SCOUT is the foundation that will support future advancements in hollow glass inspection.



## Features

- Integrated belt spacing device
- Cavity correlation of all defects
- Integrated inspection conveyors
- Traceability of change (who, what, when)
- Wraparound LED sidewall lighting
- Independent belt position for tapered ware
- 4 Servo-driven carry belts
- Consolidated electronics
- Nema 12 electronics with thermal monitoring
- Single or dual 21.5" multi-touch display
- SCOUT technology

### Ware range

- Height: 35 mm - 381 mm
- Body diameter: 16 mm - 170 mm

### Standard inspections

- Sealing surface
- Base
- Sidewall 6 views
- Dimensional 6 views

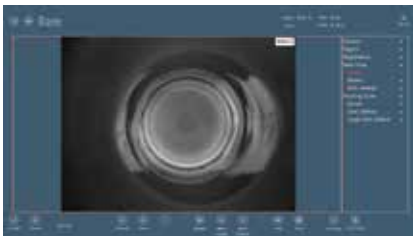
### Additional inspections

#### B-side

- Base stress
- Mold reader (heel codes/bottom codes)
- Vision plug/Vision plug with wire edge
- Vision dip/saddle

#### C-side

- Sidewall transparent (cosmetic) 6 views
- Sidewall stress 6 views
- Shoulder/Shoulder stress 6 views



### Speed guidelines

#### Production speeds

Beer	Wine	Baby food	Non round
300-500	250-400	300-500	100-300

#### Burst speeds

600	450	600	N/A
-----	-----	-----	-----



**Flex BC - C-side Dimensional**  
Dimensional measurements calculated from 6 views



**Flex BC - C-side Masking**  
Automatic profile for inspection regions



**Flex BC - B-side**  
High resolution inspections with defect classifications

# Specifications

## Power requirements

380 to 480 VAC, 3 Phase, 25 Amps

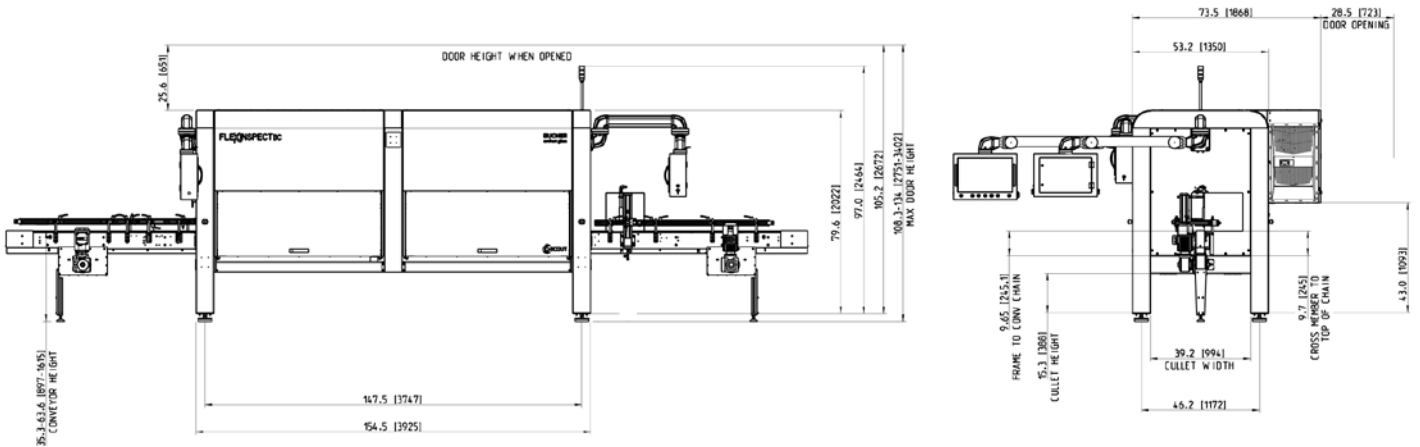
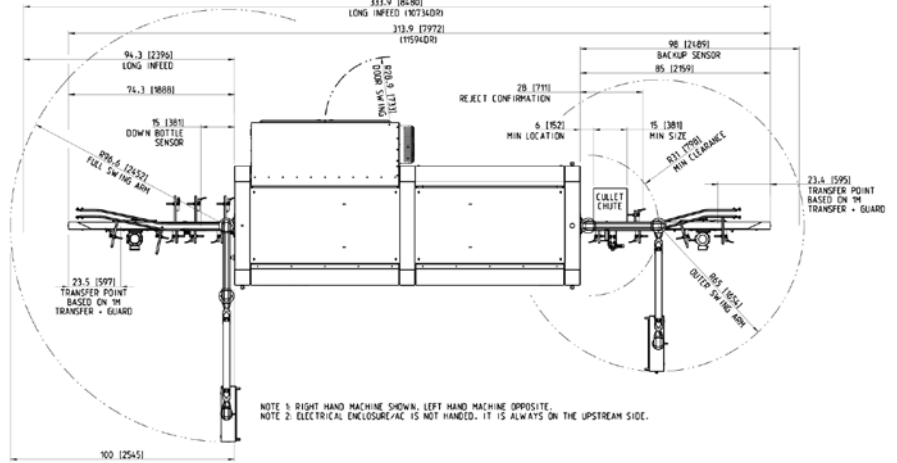
NOTE: Transformer required for any other voltage.

## Air requirements

Minimum 3.5 bar nominal [50 psi]  
Maximum 0.8 to 0.85 m3/minute

## Environmental considerations

Temperature maximum 50 °C [122 °F]  
Relative humidity Max. 95% relative humidity (non-condensing)



Specifications are subject to change. Actual performance depends on specific application, container size, and line speed. Dimensions represent nominal machine size and are not for installation purposes.

## Emhart Glass Worldwide Presence

Principal  
Emhart Glass SA  
Hinterbergstrasse 22  
CH-6312 Steinhausen, Switzerland  
Tel. +41 41 749 42 00 Fax +41 41 749 42 71

**Leipzig Germany**  
Tel. +49 341 250773 20 Fax +49 341 250773 21

**Savona Italy**  
Tel. +39 019 51 66 1 Fax +39 019 51 66 301

**Kawasaki Japan**  
Tel. +81 44 222 7371 Fax +81 44 222 4868

**Johor Bahru Malaysia**  
Tel. +607 863 1122 Fax +607 863 7717

**Singapore**  
Tel. +65 6778 1466 Fax +65 6778 9433

**Örebro Sweden**  
Tel. +46 19 307 500 Fax +46 19 307 501

**Sundsvall Sweden**  
Tel. +46 60 199 100 Fax +46 60 199 261

**St. Petersburg FL USA**  
Tel. +1 727 471 1113 Fax +1 727 471 1290

**Elmira NY USA**  
Tel. +1 607 735 2600 Fax +1 607 735 2601

**Windsor CT USA**  
Tel. +1 860 298 7340 Fax +1 860 298 7395

**Owensville MO USA**  
Tel. +1 573 437 2132 Fax +1 573 437 3146

**Perrysburg OH USA**  
Tel. +1 567 336 7733 Fax +1 567 336 8727