

Technical News Bulletin

May 5, 2008

MLP Replacement Part Manual TW-2148 REV A

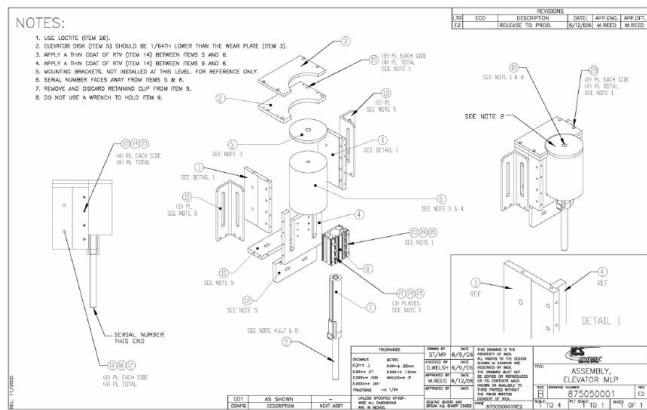
The MLP Replacement Parts manual is available on the Emhart Glass Intranet in the following location: Cold End/Product Information-Cold End/MiniLab/Statistical Sampling/MLP. This manual will provide information for identifying part numbers.

The document contains illustrations and parts lists of major assemblies used in the machine. The document file size is rather large and may not be suitable for emailing to your customer. It can be ordered from the Emhart Glass website by selecting Online Services\Publication Library". Select "Manuals" in the "Type" field and "Statistical Sampling" in the "Category" field.

TW2148RevA MLP Replacement Parts Manual

875050001 Assembly, Elevator			
Index	Part No.	Description	Qty.
1	875051001	PLATE, SIDE	2
2	875052001	PLATE, TOP	1
3	875053001	PLATE, WEAR	1
4	875054001	PLATE, ACTUATOR MOUNT	1
5	874218001	DISK, ELEVATOR	1
6	874219001	GUARD, ELEVATOR DISK, SPT	1
7	922741007	STATOR, 37MMX120MM, LINMOT	1
8	922741008	MOUNT, FLANGE, 37MMX100MM	1
9	922741017	SLIDER, 20MMX395MM, LINMOT	1
10	875104001	ANGLE, ELEVATOR MOUNT	0
11	875105001	BAR, ELEVATOR MOUNT-1	0
12	875112001	PLATE, ELEVATOR MOUNT-2	0
13	922741012	CABLE, LINMOT STATOR EXT	0
13	875605001	CABLE ASSEMBLY, LINMOT PC	0
14	917630001	SEALANT, SIL, BLK RTV	0.1
15	918002050	SCR, HEX STS, M10X25MM FULL	4
16	918014010	WASHER, FLAT FITS M10 SCR	4
17	918013007	WASHER, LOCK FITS M10 SCR	4
18	918015033	SCR, FLT, SOC, HD, M6 X 25	1
19	918001027	SCR, SOC, CAP, M6X16MM LG	4
20	918001018	SCR, SOC, CAP, M5X12MM LG	4
21	918001034	SCR, SOC, HD, CAP, M6X50MM LG	3
22	918001030	SCR, SOC, HD, CAP, M6X30MM	0
23	918001029	SCR, SOC, CAP, M6X25MM LG	9
24	918014007	WASHER, FLAT FITS M6 SCR	12
25	918013004	WASHER, LOCK FITS M6 SCR	12
26	917633001	ADHESIVE, LOC#242, MED.	0.1

875050001 Assembly, Elevator



TW2148RevA MLP Replacement Parts Manual